

5LPD17.30c Specification Sheet

63 Inch Workstation Sink - Double Bowl - Reversible Stainless Steel Kitchen Sink

CREATE
GOOD
SINKS

Sink Dimensions

Overall dimensions: 68.5" x 20"
Bowl dimensions: see drawing
Sink depth: 10"
Required minimum cabinet size: 51" left to right

Features

- 16 gauge 304 stainless steel
- Offset drains
- Heavy duty sound pads & undercoating
- Efficient drainage - slanted basin
- Easy-to-clean, small, rounded corners
- More work space - straight walls

Disposal information

- Our seamless drain fittings will work on all residential disposals*

Included Parts

- Seamless drain fittings
- Sink cutout template
- Mounting clips
- Free shipping in the continental USA and Canada
- Free professional files: DXF, 3D CAD, Revit etc. (see product page on website for details)

Optional Accessories

- Stainless steel sink grids
- Cutting boards
- Serving boards
- Colanders
- Rollmats
- Ice / beverage tubs
- Faucets

Create Good Sinks has been in business since 2008 and our sinks have been installed over 25,000 times. Our patented Seamless Drain has proven to have one of the best seals on the market.

Limited Lifetime Warranty

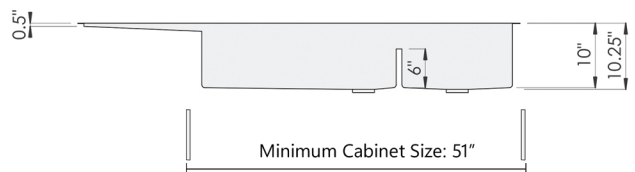
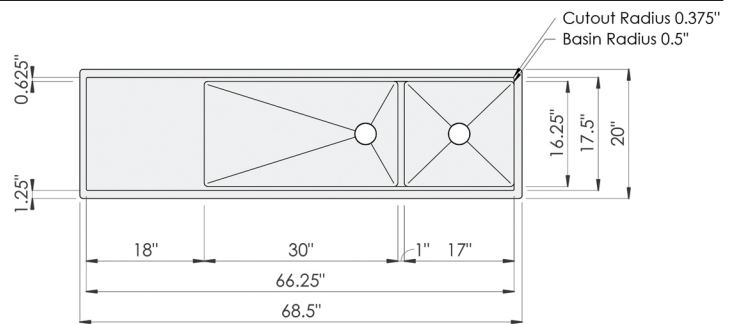
(for details visit www.creategoodsinks.com)

CODES/STANDARDS:

cUPC™ - Our sinks meet plumbing regulations in all American States & Canada (ASME A112.19.3/CSA B45.4)
Massachusetts Product Approval - Meets plumbing regulations in Massachusetts

*Disposal not included. Some disposal models may require an adapter that we provide free of charge. Check out our website or call us for details.

Create Good Sinks Customer Service
513-327-8078 | sales@creategoodsinks.com



*This large sink is handmade, there may be slight differences in the actual measurements. Be sure to check your sink for accurate measurements.