

# 5LS28L-8 Specification Sheet

28 Inch Workstation Sink - Single Bowl - Offset Drain Left  
Stainless Steel Kitchen Sink

CREATE  
GOOD  
SINKS

## Sink Dimensions

Overall dimensions: 28" x 19.5"  
Bowl dimensions: see drawing  
Sink depth: 8"  
Required minimum cabinet size: 30" left to right

## Features

- 16 gauge 304 stainless steel
- Offset drain left
- Heavy duty sound pads & undercoating
- Efficient drainage - slanted basin
- Easy-to-clean, small, rounded corners
- More work space - straight walls

## Disposal information

- Our seamless drain fittings will work on all residential disposals\*

## Included Parts

- Seamless drain fittings
- Sink cutout template (excluding apron front models)
- Mounting clips
- Free shipping in the continental USA and Canada
- Free professional files: DXF, 3D CAD, Revit etc. (see product page on website for details)

## Optional Accessories

- Stainless steel sink grids
- Cutting boards
- Serving boards
- Colanders
- Rollmats
- Ice / beverage tubs
- Faucets

Create Good Sinks has been in business since 2008 and our sinks have been installed over 25,000 times. Our patented Seamless Drain has proven to have one of the best seals on the market.

## Limited Lifetime Warranty

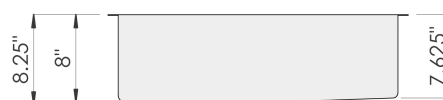
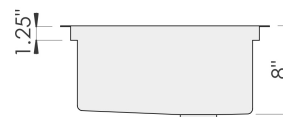
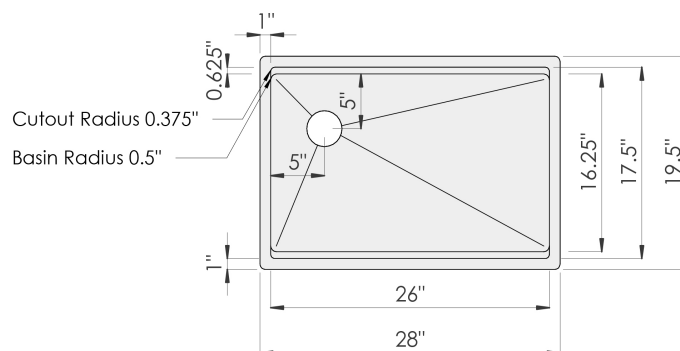
(for details visit [www.creategoodsinks.com](http://www.creategoodsinks.com) )

## CODES/STANDARDS:

cUPC™- Our sinks meet plumbing regulations in all American States & Canada (ASME A112.19.3/CSA B45.4)  
Massachusetts Product Approval - Meets plumbing regulations in Massachusetts

\*Disposal not included. Some disposal models may require an adapter that we provide free of charge. Check out our website or call us for details.

Create Good Sinks Customer Service  
513-327-8078 | [sales@creategoodsinks.com](mailto:sales@creategoodsinks.com)



Minimum Cabinet Size: 30"